
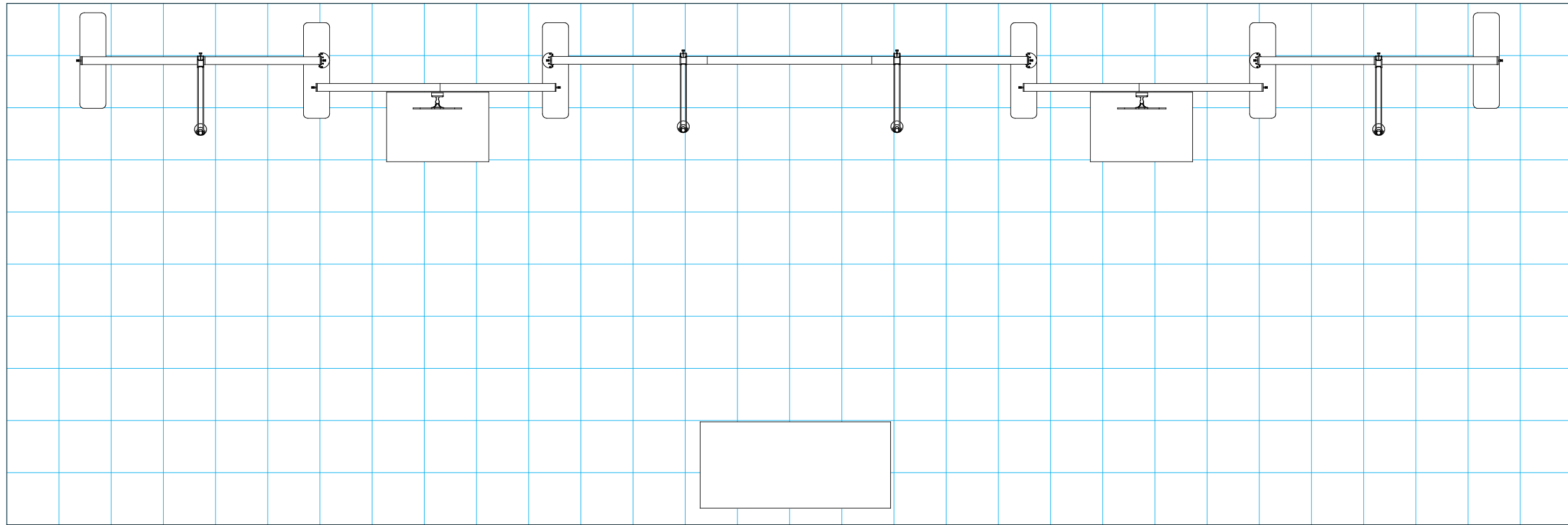


SETUP INSTRUCTIONS

 = 1 sq foot



General Setup Instructions

- Read entire setup instruction manual prior to unpacking parts and pieces.
- The setup instructions are created specifically for this configuration.
- Setup instructions are laid out sequentially in steps, including exploded views with detailed explanation for assembly.



Part Identification - Numbering

Cleaning & Packing

- For Cleaning Metal, Plex, & Laminate Parts: Use a **MILD NON-ABRASIVE** cleanser and soft cloth/paper towel to clean all surfaces.
- Keep exhibit components away from heat and prolonged sun exposure.
Heat and UV exposure will warp and fade components.
- Retain all provided Packing Materials. All provided packing materials are for ease of repacking & component protection.



Engaged Lock



WARNING



DO NOT USE POWER TOOLS



ALL CONNECTIONS MUST BE TIGHTLY SECURED

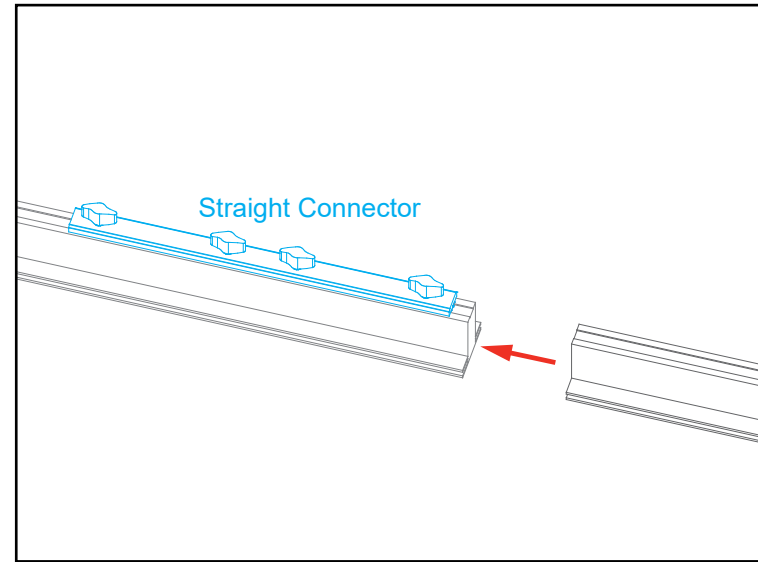
Disassembly

- For loss prevention, keep all knobs & connectors attached to extrusions during disassembly.

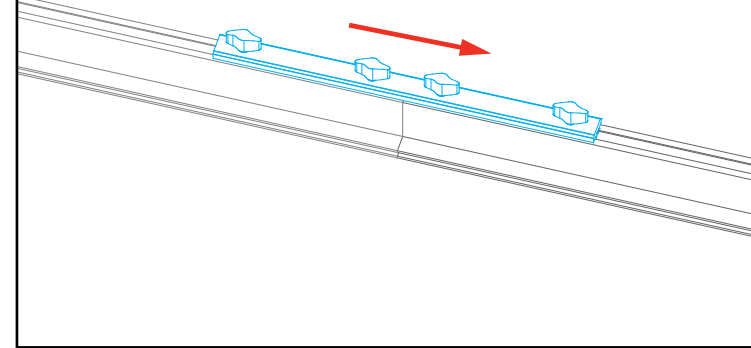
Straight Connection

When assembling frame, first attach all **straight connectors**, then attach **corner connectors**.

- 1) Place extrusions end-to-end.
- 2) Loosen all knobs, then slide **straight connector** across the seam of extrusions.
- 3) Tighten all knobs to secure connection.



Slide connector across seam of extrusions.
Tighten all knobs.



Disassembly

- 1) Loosen all knobs.
- 2) Slide connectors off of one extrusion.
- 3) Tighten knobs to prevent loss during packing & shipping.

Keep straight connectors in groove of extrusion. Do not remove connectors during disassembly.

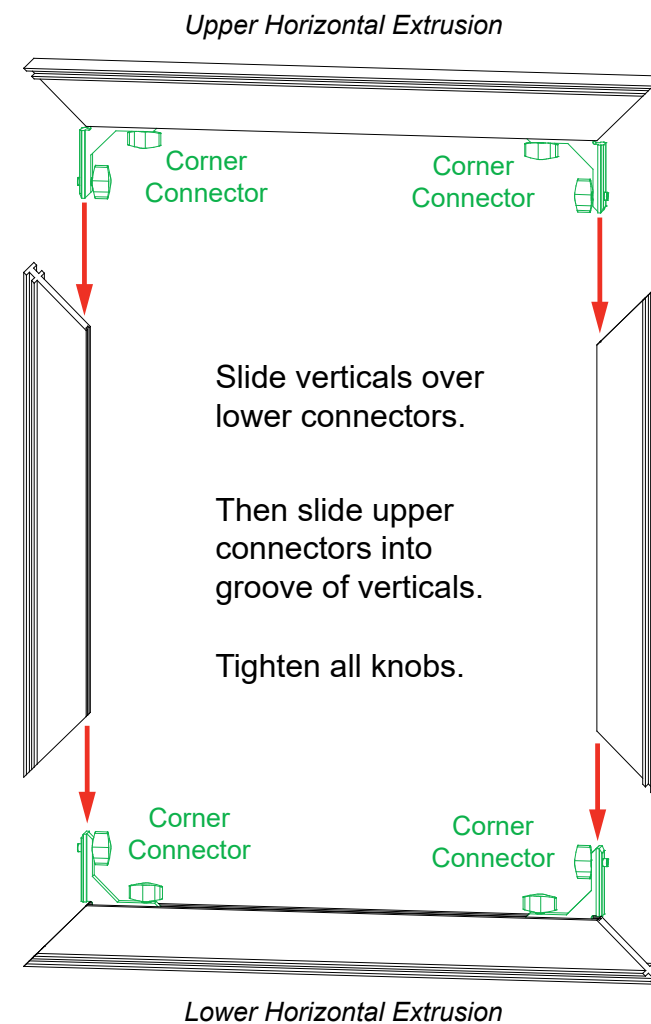
All knobs must be tightened securely to ensure a proper connection.

Corner Connection

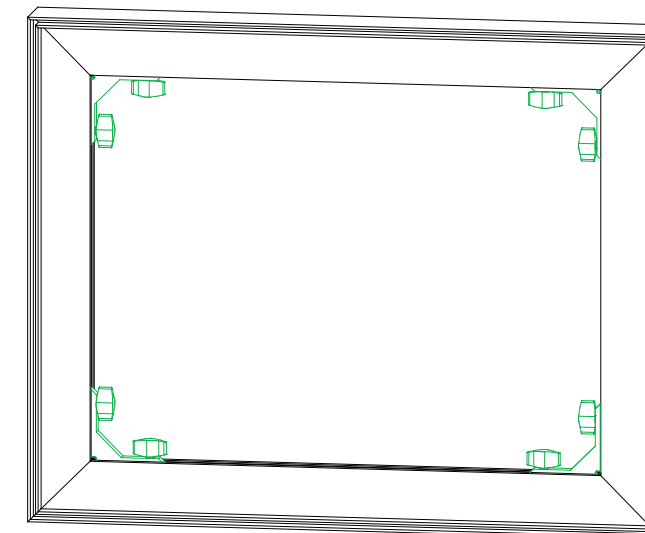
- 1) Loosen knobs, then slide vertical extrusions onto **corner connectors** of **lower** horizontal extrusion.
- 2) Slide **corner connectors** of **upper** horizontal extrusion into grooves of vertical extrusions.
- 3) Tighten all knobs to secure connection.

Disassembly

- 1) Loosen knobs on vertical extrusions.
- 2) Slide the vertical extrusions off of **corner connectors** on lower and upper horizontal extrusions.

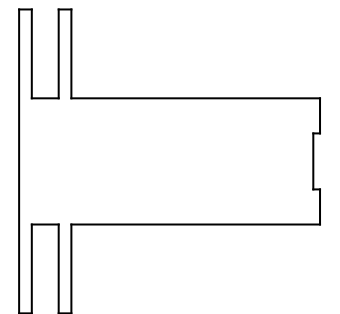


Adjust connectors if necessary to prevent gaps in connection.



COMPLETED ASSEMBLY

All knobs must be tightened securely to ensure a proper connection.

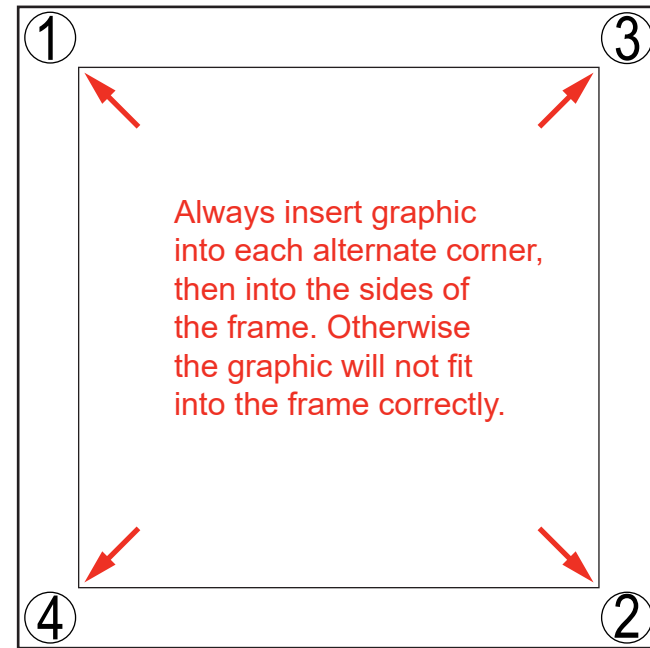


TSP49 Profile

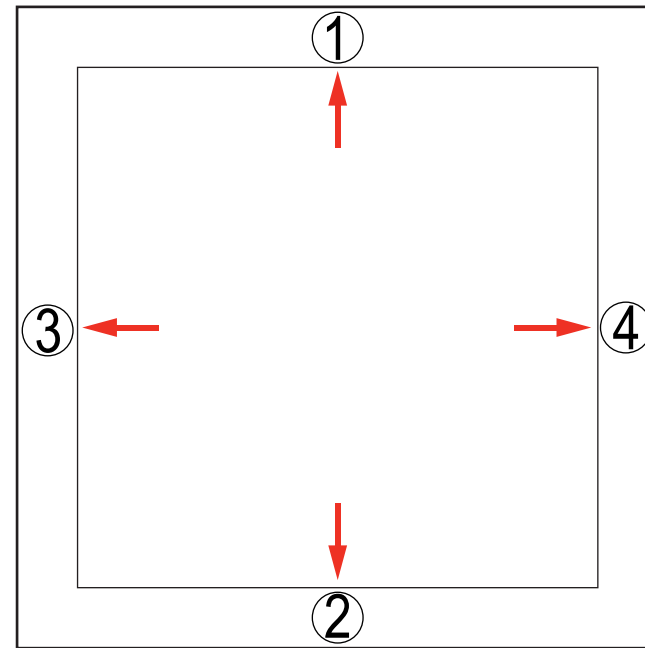
The Perfect Fit

SEG Graphic Installation in 3 Steps

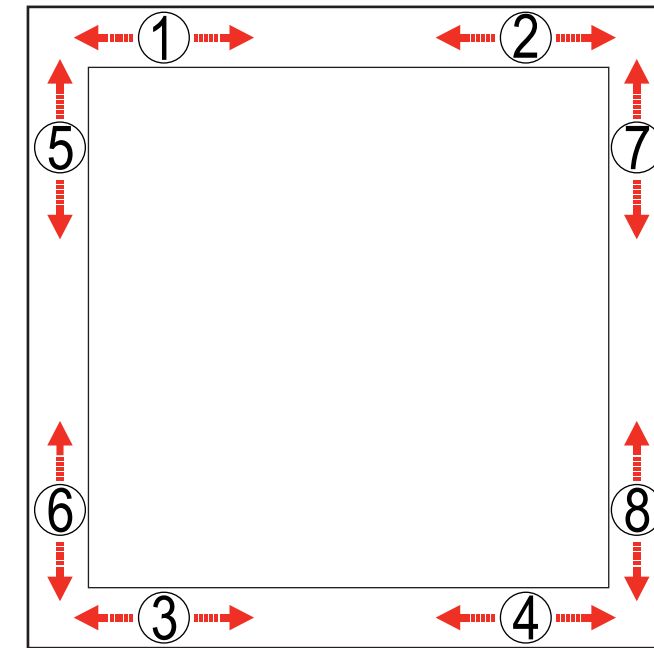
STEP 1: Attach Corners



STEP 2: Attach Middle



STEP 3: Attach Sides



Insert narrow side of silicone welt into the channel at corner 1, with fabric to the outside.

Repeat for opposite corner 2, then corner 3, then corner 4.

Once corners are attached, press the middle of edge 1 into the channel. Then press middle of edge 2 into the channel on opposite side.

Repeat with edge 3 & 4.

Once the middle of sides are attached, fully press the silicone welt into the channel, between center and corner at location 1. Repeat the process between center and corner at location 2.

Do the same for welt on opposite side, at locations 3 & 4. Then repeat for locations 5 & 6 and 7 & 8.

Once the welt is fully inserted on all sides, smooth out edges as needed for a perfect fit.



To remove the graphic from the frame, locate the fabric **pull tab**. Gently pull on the tab to remove the graphic.

Install video:

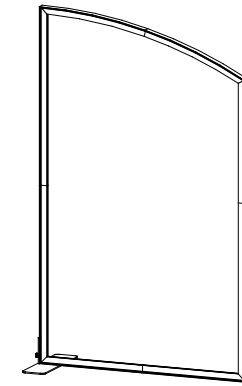


Item	Qty.	Description
1A	1	45"h TSP49 Vertical Extrusion
2A	1	31.305"h TSP49 Vertical Extrusion
3A	1	45"h TSP49 Vertical Extrusion
4A	1	45"h TSP49 Vertical Extrusion
5A	1	27.35"w TSP49 Horizontal Extrusion
6A	1	27.35"w TSP49 Horizontal Extrusion
7A	1	28.514"w TSP49 curved Horizontal Extrusion
8A	1	28.514"w TSP49 curved Horizontal Extrusion
9A	1	6" x 22" End Base Plate w/ foot

Steps:

Refer to the *Tool-less Frame Assembly* general information page.

- 1) Assemble vertical extrusions [1A-2A], [3A-4A] & horizontal extrusions [5A-6A], [7A-8A] together, using **Tool-less Spline connectors** labeled [X] & [Y].
- 2) Connect vertical assemblies [1A/2A], [3A/4A] between horizontal assemblies [5A/6A], [7A/8A], using **Tool-less Corner Connectors** labeled [A] & [B].
- 3) Install Base Plate [9A] to bottom corner of frame assembly as shown. See **Base Plate Attachment** detail.

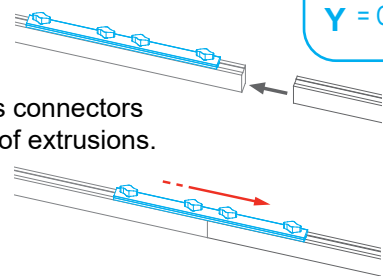


When assembled

Assemble frame flat on ground.

*** Tool-less Spline Connector**

1. Place extrusions end-to-end.



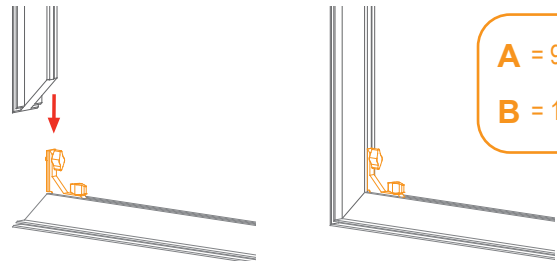
X = Straight spline
Y = Curved spline

2. Slide tool-less connectors across seam of extrusions.

3. Tighten all knobs to secure connection.

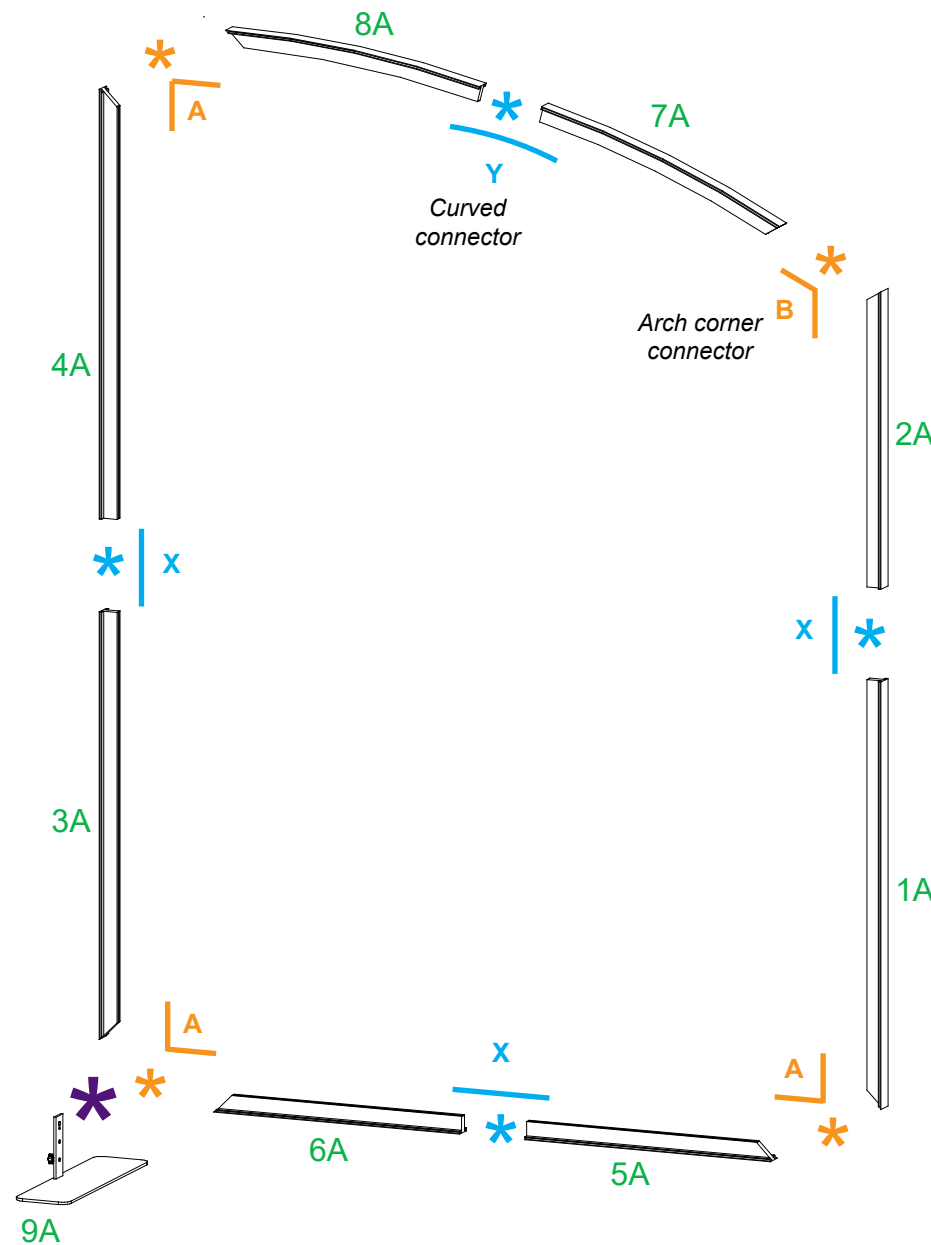
*** Tool-less Corner Connector**

1. Slide extrusion onto Corner Connector.
2. Tighten all knobs to secure connection.



A = 90° Connector
B = 117° Connector

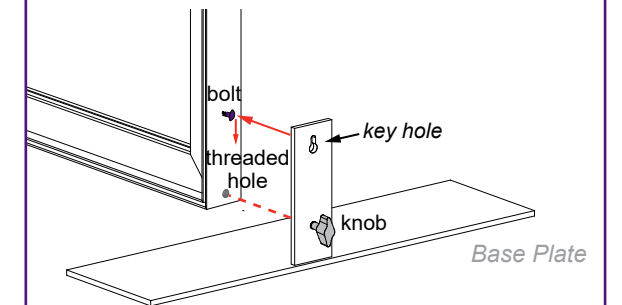
Keep corner connectors attached to horizontal extrusions.



FRONT VIEW

*** Base Plate Attachment**

- 1) Place key hole over bolt on panel & slide down.
- 2) Twist knob to secure connection.



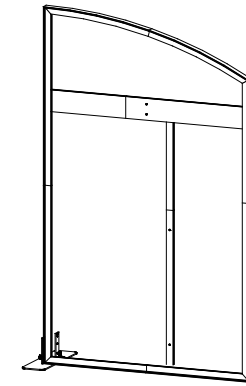
Base Plate

Item	Qty.	Description
1	1	45"h TSP49 Vertical Extrusion
2	1	31.305"h TSP49 Vertical Extrusion
3	1	45"h TSP49 Vertical Extrusion
4	1	45"h TSP49 Vertical Extrusion
5	1	27.35"w TSP49 Horizontal Extrusion
6	1	27.35"w TSP49 Horizontal Extrusion
7	1	28.514"w TSP49 curved Horizontal Extrusion
8	1	28.514"w TSP49 curved Horizontal Extrusion
9	1	6" x 22" Base Plate w/ flange (left) 20"w Z140 Horizontal Extrusion 31.121"w Z140 Horizontal Extrusion 39"h Z45 Vertical Extrusion 22.203"h Z45 Vertical Extrusion

Steps:

Refer to the *Tool-less Frame Assembly* general information page.

- 1) Assemble vertical extrusions [1-2], [3-4] & horizontal extrusions [5-6], [7-8] together, using **Tool-less Spline connectors** labeled [X] & [Y].
- 2) Connect vertical assemblies [1/2], [3/4] between horizontal assemblies [5/6], [7/8], using **Tool-less Corner Connectors** labeled [A] & [B].
- 3) Attach horizontals [10-11] between verticals [1/2], [3/4] as shown.
- 4) Connect verticals [12-13] between horizontals [5/6] & [10/11].
- 5) Install Base Plate [9] to bottom corner of frame assembly as shown. See **Base Plate Attachment** detail.

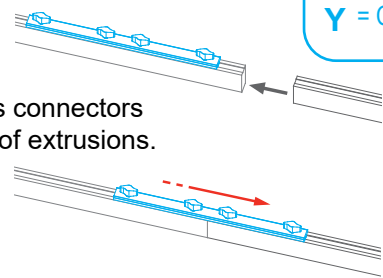


When assembled

Assemble frame flat on ground.

*** Tool-less Spline Connector**

1. Place extrusions end-to-end.



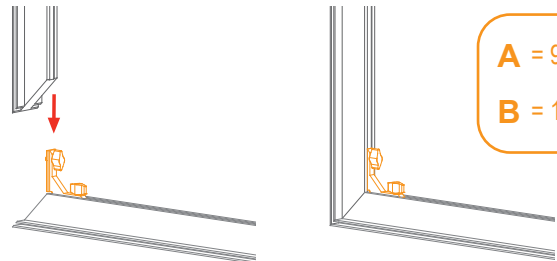
X = Straight spline
Y = Curved spline

2. Slide tool-less connectors across seam of extrusions.

3. Tighten all knobs to secure connection.

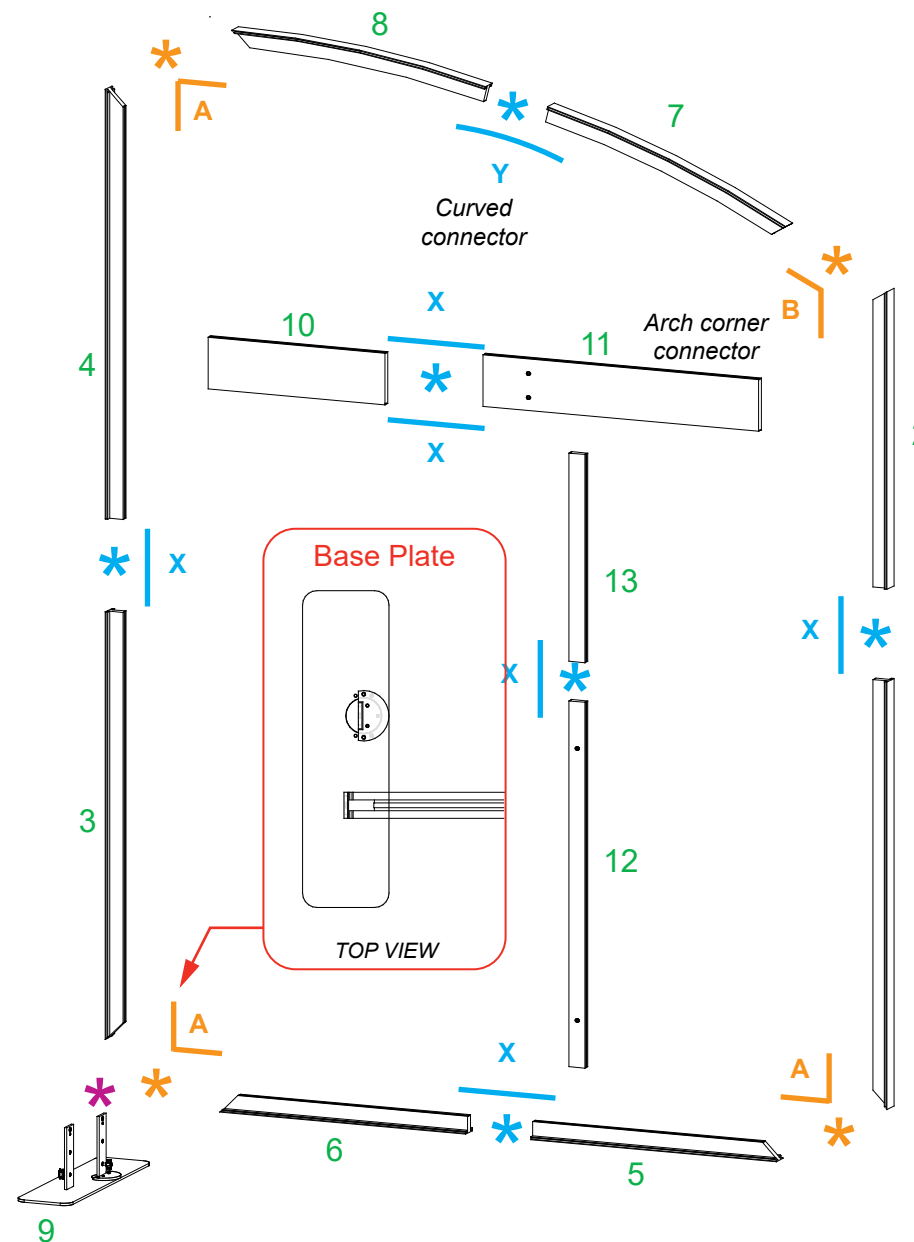
*** Tool-less Corner Connector**

1. Slide extrusion onto Corner Connector.
2. Tighten all knobs to secure connection.



A = 90° Connector
B = 117° Connector

Keep corner connectors attached to horizontal extrusions.



FRONT VIEW

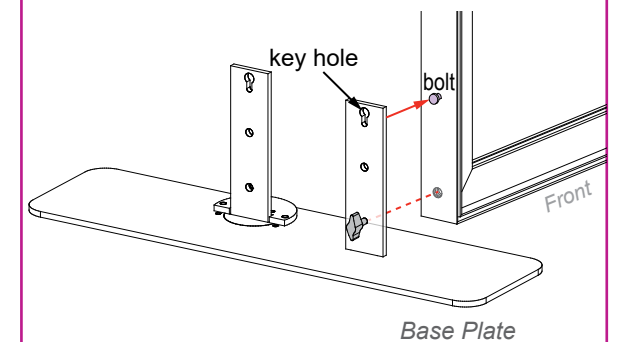
Connection Lock w/ Knob

Knobs face **back** of assembly.



*** Base Plate Attachment**

Place key hole over bolt on panel & slide down. Twist knob to secure connection.

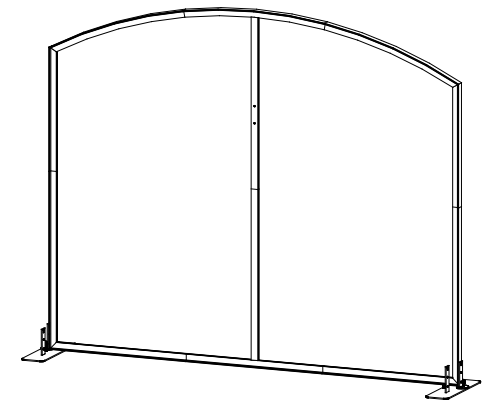


Item	Qty.	Description
1	1	45"h TSP49 Vertical Extrusion
2	1	31.305"h TSP49 Vertical Extrusion
3	1	45"h TSP49 Vertical Extrusion
4	1	31.305"h TSP49 Vertical Extrusion
5	1	36.467"w TSP49 Horizontal Extrusion
6	1	36.467"w TSP49 Horizontal Extrusion
7	1	36.467"w TSP49 Horizontal Extrusion
8	1	38.019"w TSP49 curved Horizontal Extrusion
9	1	38.019"w TSP49 curved Horizontal Extrusion
10	1	38.019"w TSP49 curved Horizontal Extrusion
11	1	45.209"h Z45 Vertical Extrusion
12	1	41.209"h Z45 Vertical Extrusion
13	1	6" x 22" Base Plate w/ flange (right)
14	1	6" x 22" Base Plate w/ flange (left)

Steps:

Refer to the [Tool-less Frame Assembly general information page](#).

- 1) Assemble vertical extrusions [1-2], [3-4], [11-12] & horizontals [5-6-7], [8-9-10] together, using [Tool-less Spline connectors](#) labeled [X] & [Y].
- 2) Connect vertical assemblies [1/2], [3/4] between horizontal assemblies [5/6/7], [8/9/10], using [Tool-less Corner Connectors](#) labeled [A] & [B].
- 3) Install Base Plates [13] & [14] to bottom corners of frame assembly as shown. See [Base Plate Attachment](#) detail.
- 4) Lift frame to upright position, then connect vertical assembly [11/12] between horizontal assemblies [5/6/7], [8/9/10] using [Connection Lock w/ Knob](#).



When assembled

Assemble frame flat on ground.

*** Tool-less Spline Connector**

1. Place extrusions end-to-end.
2. Slide tool-less connectors across seam of extrusions.
3. Tighten all knobs to secure connection.

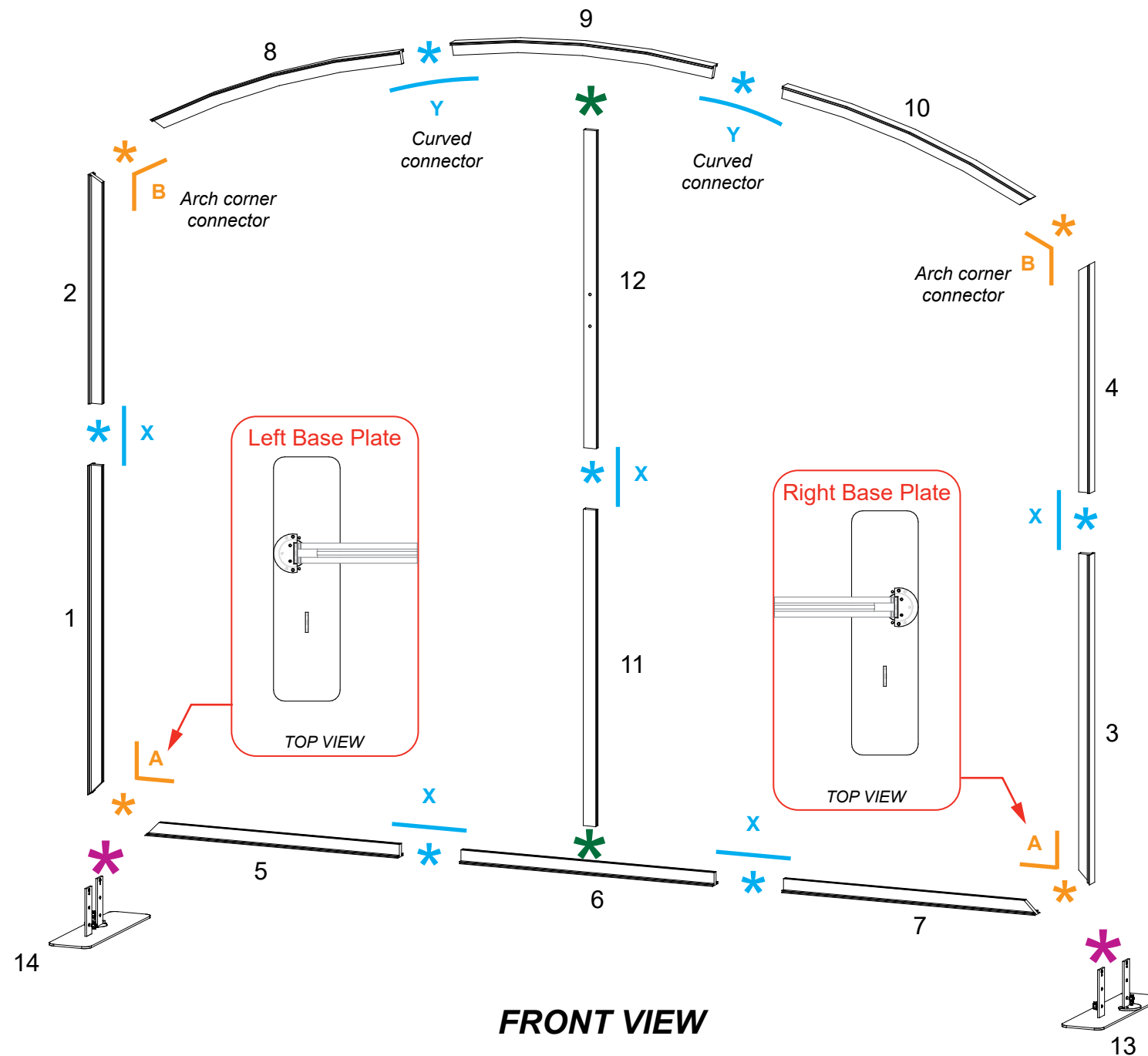
X = Straight spline
Y = Curved spline

*** Tool-less Corner Connector**

1. Slide extrusion onto Corner Connector.
2. Tighten all knobs to secure connection.

A = 90° Connector
B = 117° Connector

Keep corner connectors attached to horizontal extrusions.



*** Connection Lock w/ Knob**

Knobs face **back** of assembly.

BACK VIEW

*** Base Plate Attachment**

Place key hole over bolt on panel & slide down. Twist knob to secure connection.

Front

bolt

key hole

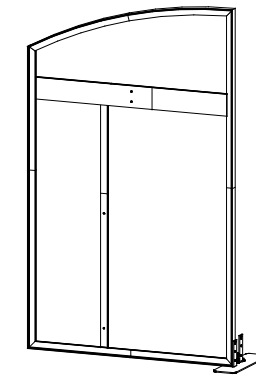
Base Plate

Item	Qty.	Description
1	1	45"h TSP49 Vertical Extrusion
2	1	31.305"h TSP49 Vertical Extrusion
3	1	45"h TSP49 Vertical Extrusion
4	1	45"h TSP49 Vertical Extrusion
5	1	27.35"w TSP49 Horizontal Extrusion
6	1	27.35"w TSP49 Horizontal Extrusion
7	1	28.514"w TSP49 curved Horizontal Extrusion
8	1	28.514"w TSP49 curved Horizontal Extrusion
9	1	6" x 22" Base Plate w/ flange (right)
10	1	20"w Z140 Horizontal Extrusion
11	1	31.121"w Z140 Horizontal Extrusion
12	1	39"h Z45 Vertical Extrusion
13	1	22.203"h Z45 Vertical Extrusion

Steps:

Refer to the Tool-less Frame Assembly general information page.

- 1) Assemble vertical extrusions [1-2], [3-4] & horizontal extrusions [5-6], [7-8] together, using Tool-less Spline connectors labeled [X] & [Y].
- 2) Connect vertical assemblies [1/2], [3/4] between horizontal assemblies [5/6], [7/8], using Tool-less Corner Connectors labeled [A] & [B].
- 3) Attach horizontals [10-11] between verticals [1/2], [3/4] as shown.
- 4) Connect verticals [12-13] between horizontals [5/6] & [10/11].
- 5) Install Base Plate [9] to bottom corner of frame assembly as shown. See Base Plate Attachment detail.



When assembled

Assemble frame flat on ground.

*** Tool-less Spline Connector**

1. Place extrusions end-to-end.

X = Straight spline
Y = Curved spline

2. Slide tool-less connectors across seam of extrusions.

3. Tighten all knobs to secure connection.

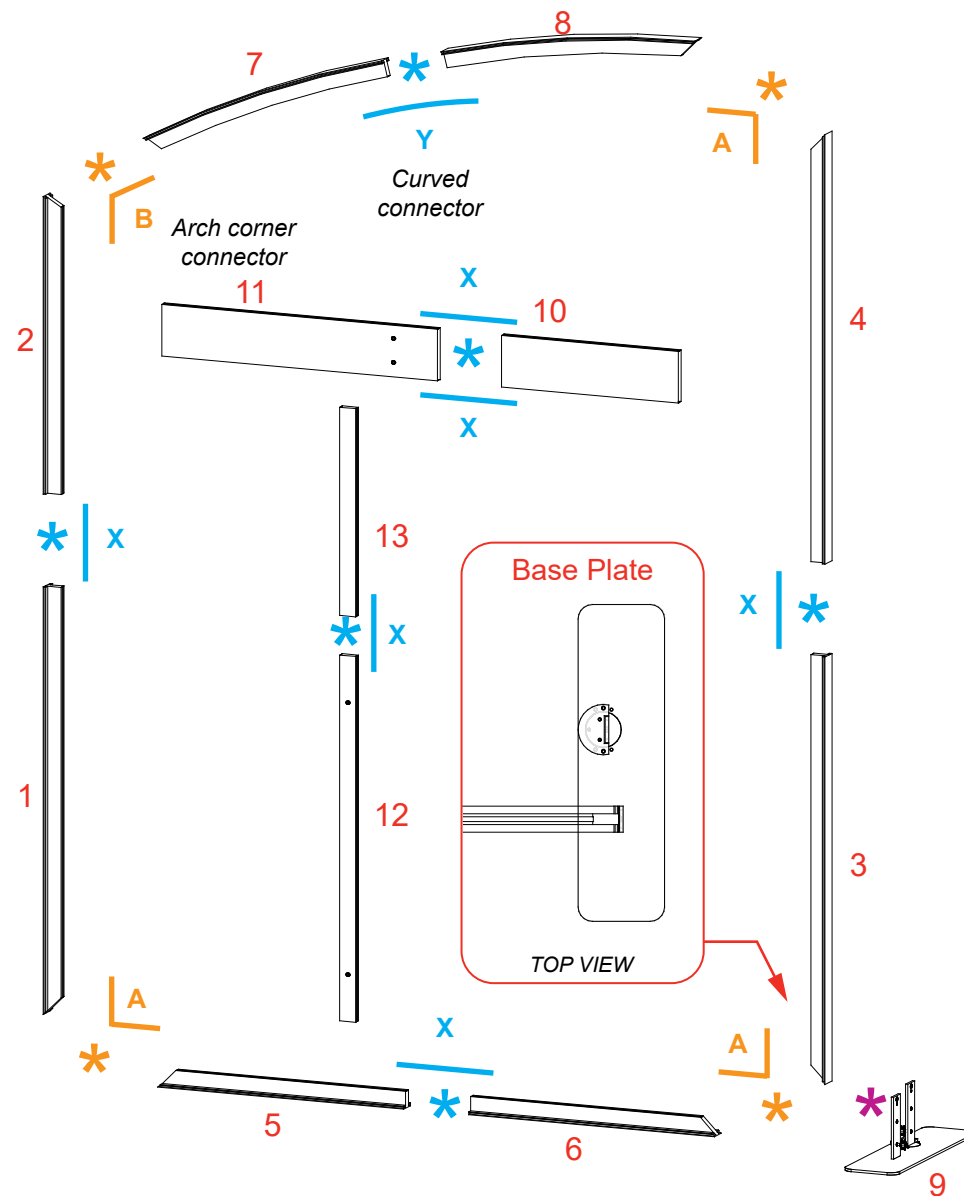
*** Tool-less Corner Connector**

1. Slide extrusion onto Corner Connector.

2. Tighten all knobs to secure connection.

A = 90° Connector
B = 117° Connector

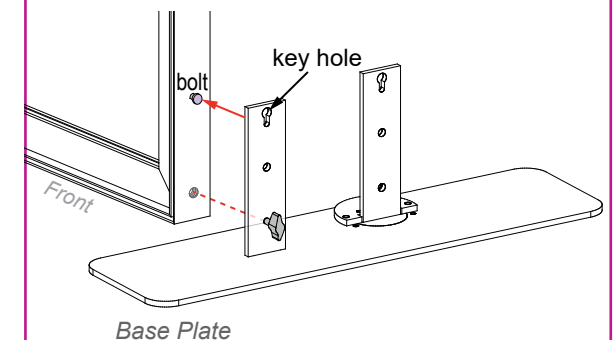
Keep corner connectors attached to horizontal extrusions.



BACK VIEW

*** Base Plate Attachment**

Place key hole over bolt on panel & slide down. Twist knob to secure connection.

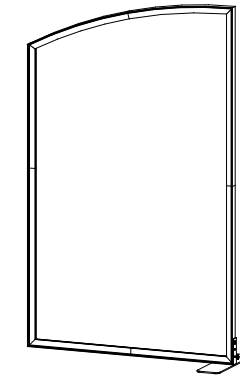


Item	Qty.	Description
1A	1	45"h TSP49 Vertical Extrusion
2A	1	31.305"h TSP49 Vertical Extrusion
3A	1	45"h TSP49 Vertical Extrusion
4A	1	45"h TSP49 Vertical Extrusion
5A	1	27.35"w TSP49 Horizontal Extrusion
6A	1	27.35"w TSP49 Horizontal Extrusion
7A	1	28.514"w TSP49 curved Horizontal Extrusion
8A	1	28.514"w TSP49 curved Horizontal Extrusion
9A	1	6" x 22" End Base Plate w/ foot

Steps:

Refer to the [Tool-less Frame Assembly](#) general information page.

- 1) Assemble vertical extrusions [1A-2A], [3A-4A] & horizontal extrusions [5A-6A], [7A-8A] together, using [Tool-less Spline connectors](#) labeled [X] & [Y].
- 2) Connect vertical assemblies [1A/2A], [3A/4A] between horizontal assemblies [5A/6A], [7A/8A], using [Tool-less Corner Connectors](#) labeled [A] & [B].
- 3) Install Base Plate [9A] to bottom corner of frame assembly as shown. See [Base Plate Attachment](#) detail.

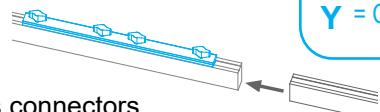


When assembled

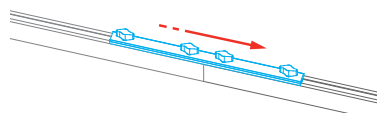
Assemble frame flat on ground.

*** Tool-less Spline Connector**

1. Place extrusions end-to-end.



2. Slide tool-less connectors across seam of extrusions.

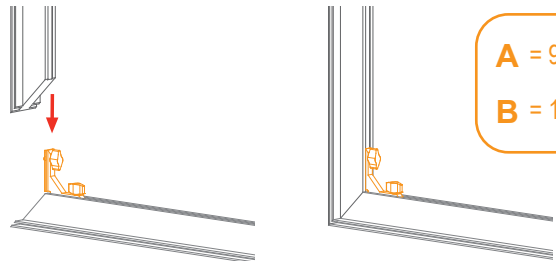


3. Tighten all knobs to secure connection.

X = Straight spline
Y = Curved spline

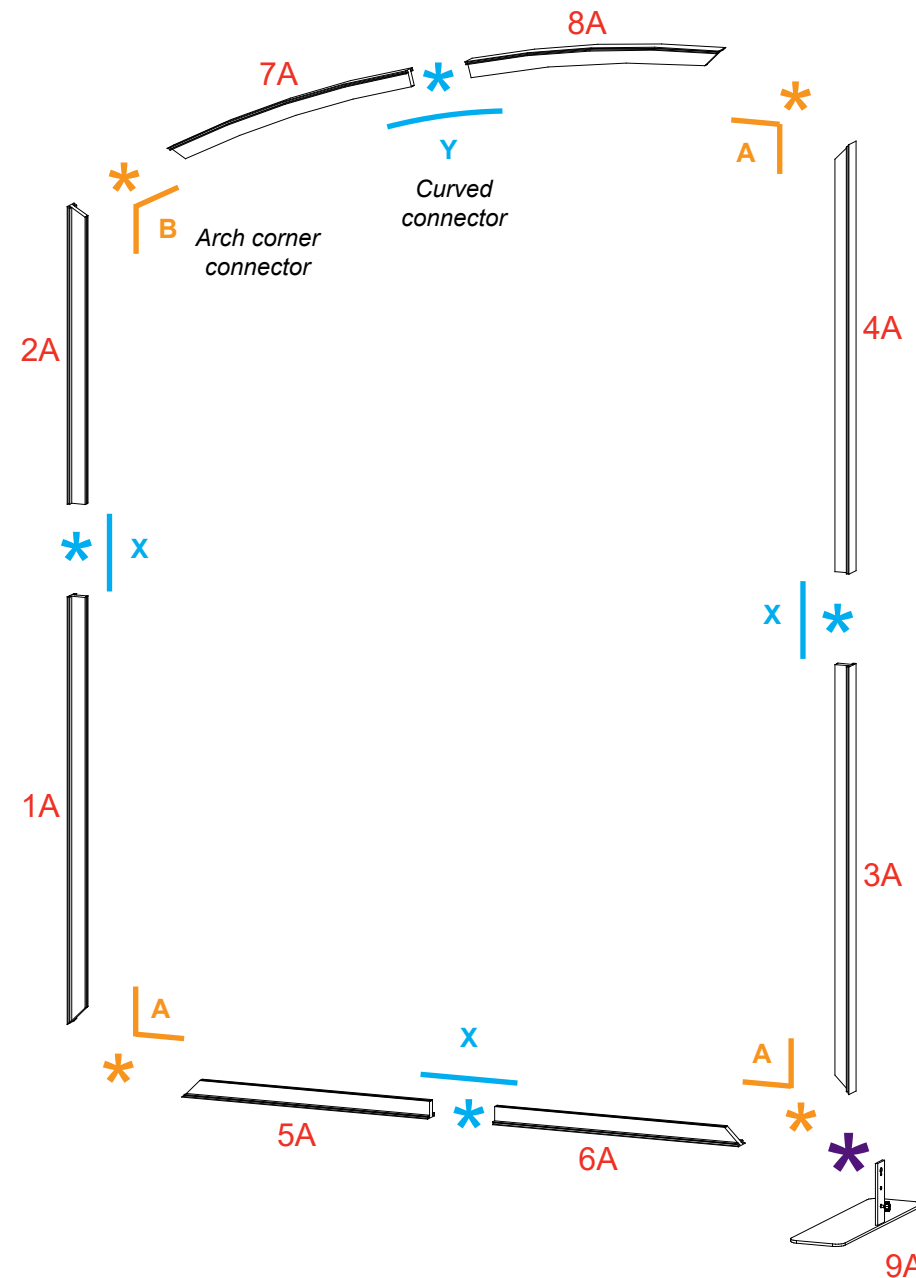
*** Tool-less Corner Connector**

1. Slide extrusion onto Corner Connector.
2. Tighten all knobs to secure connection.



A = 90° Connector
B = 117° Connector

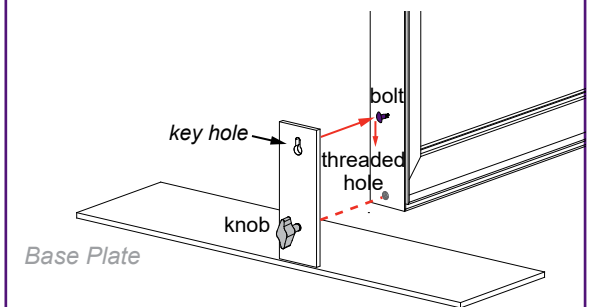
Keep corner connectors attached to horizontal extrusions.



FRONT VIEW

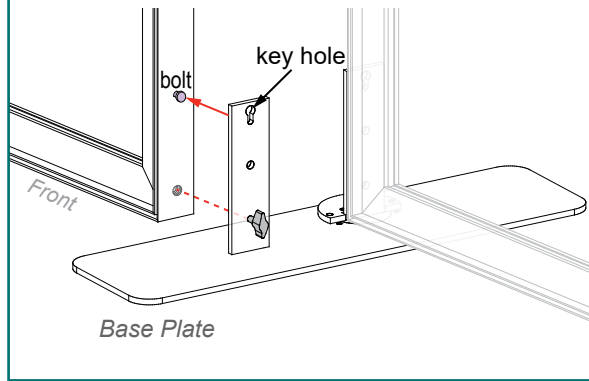
*** Base Plate Attachment**

- 1) Place key hole over bolt on panel & slide down.
- 2) Twist knob to secure connection.



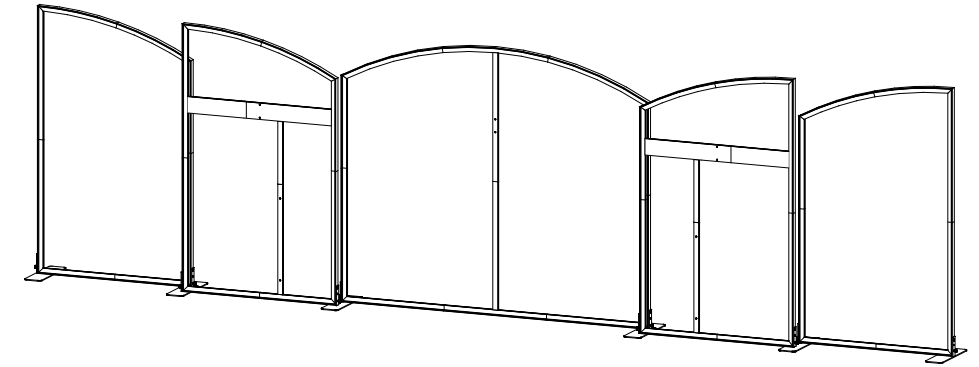
*** Base Plate Attachment**

Place key hole over bolt on panel & slide down. Twist knob to secure connection.

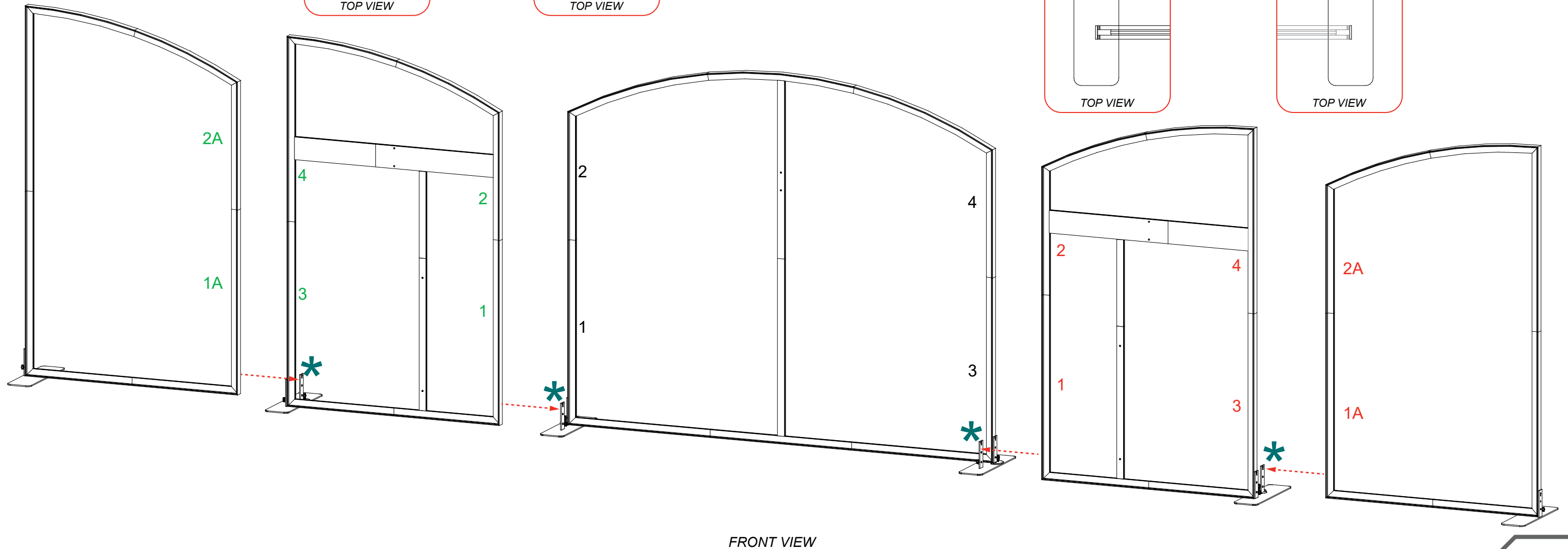
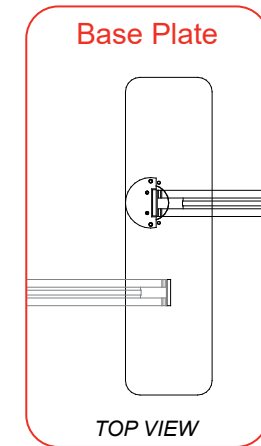
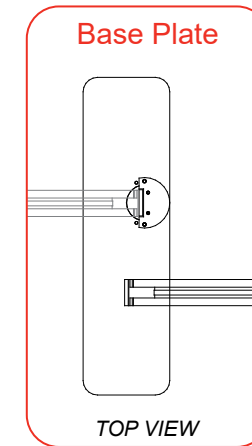
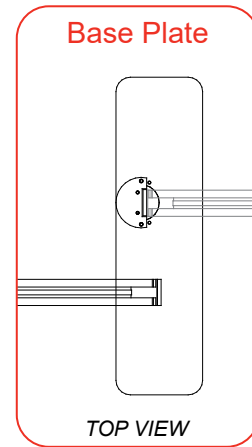
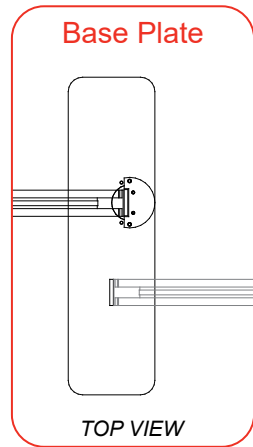


Steps:

- 1) Connect left & right arch frames to base plates of middle frame, attach outer left & right frames to base plates of inner frames as shown. See [Base Plate Attachment](#) detail.



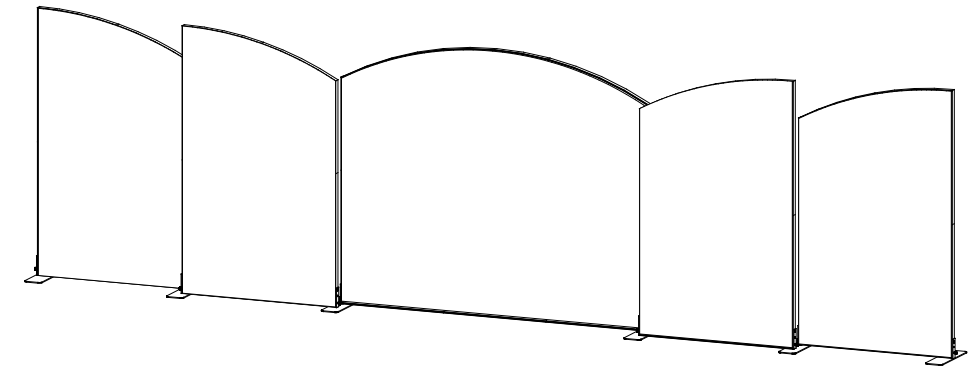
When assembled



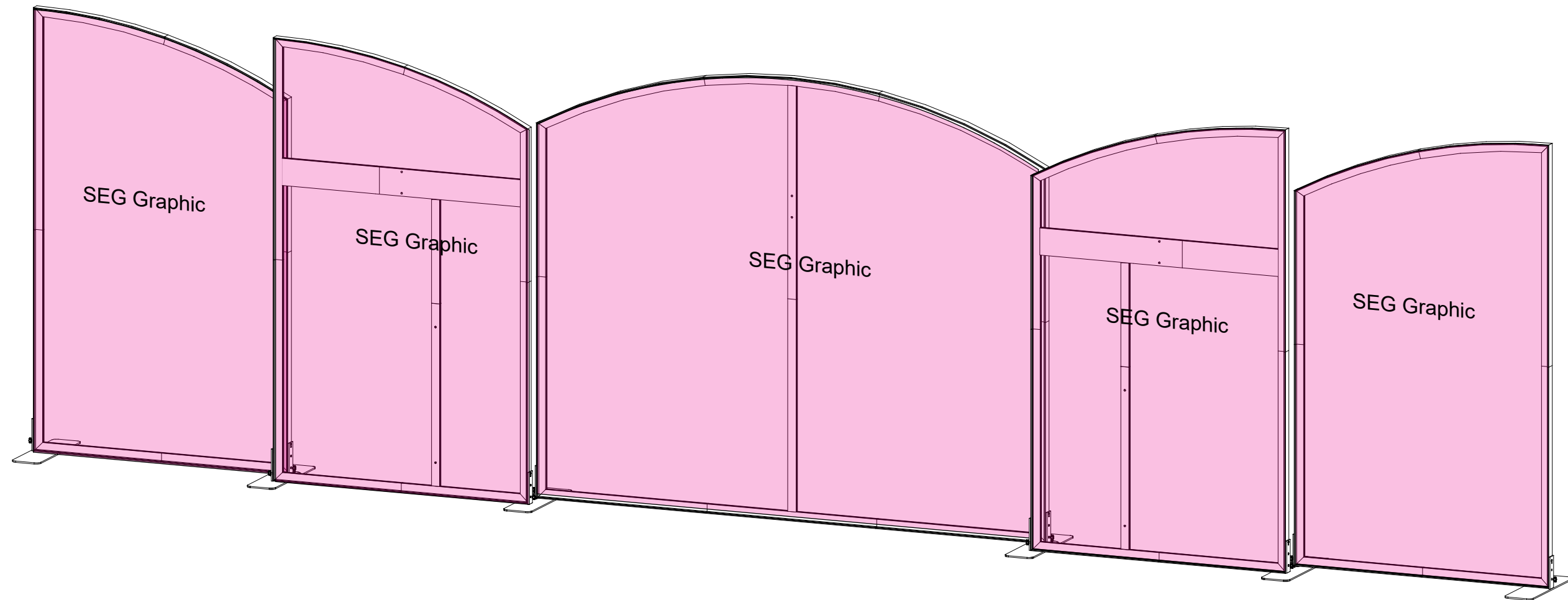
Steps:

Refer to the SEG Installation general information page.

1) Apply SEG graphics to front of assembled frames as shown.

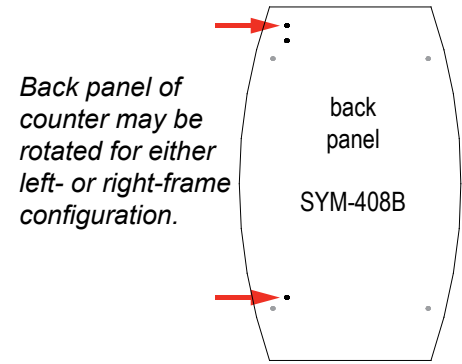


When assembled



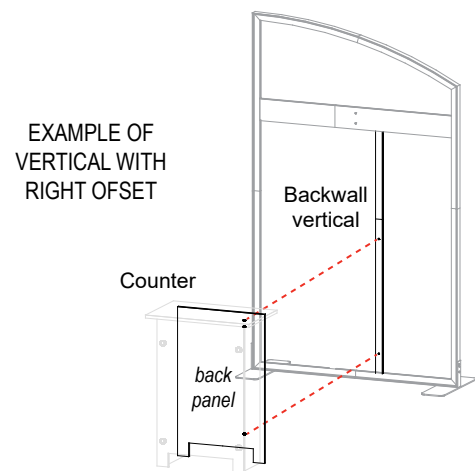
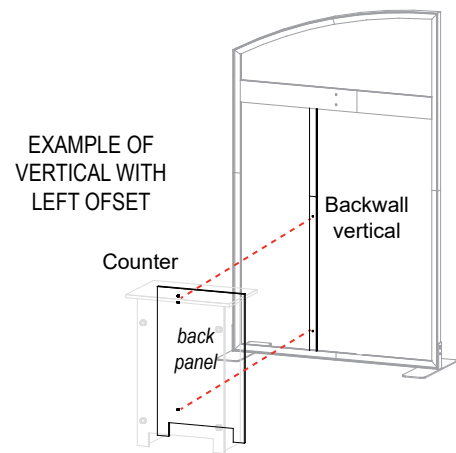
Back Panel Hole Placement

Holes on back panel of Counter are off-center to attach to backwall vertical.



When assembling counter, align holes of back panel to vertical extrusion of backwall frame.

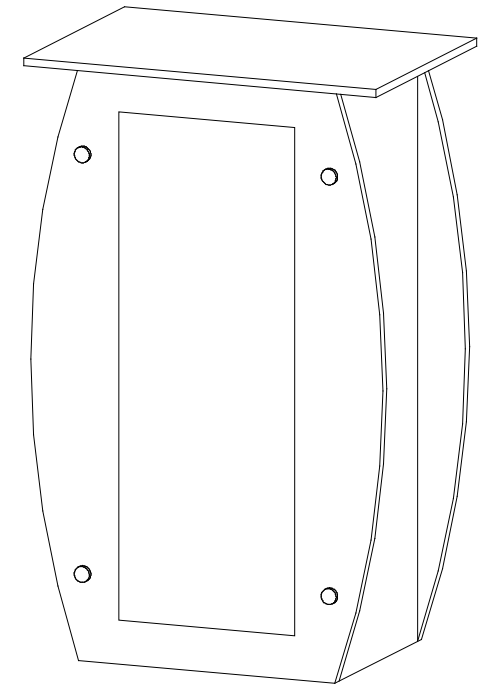
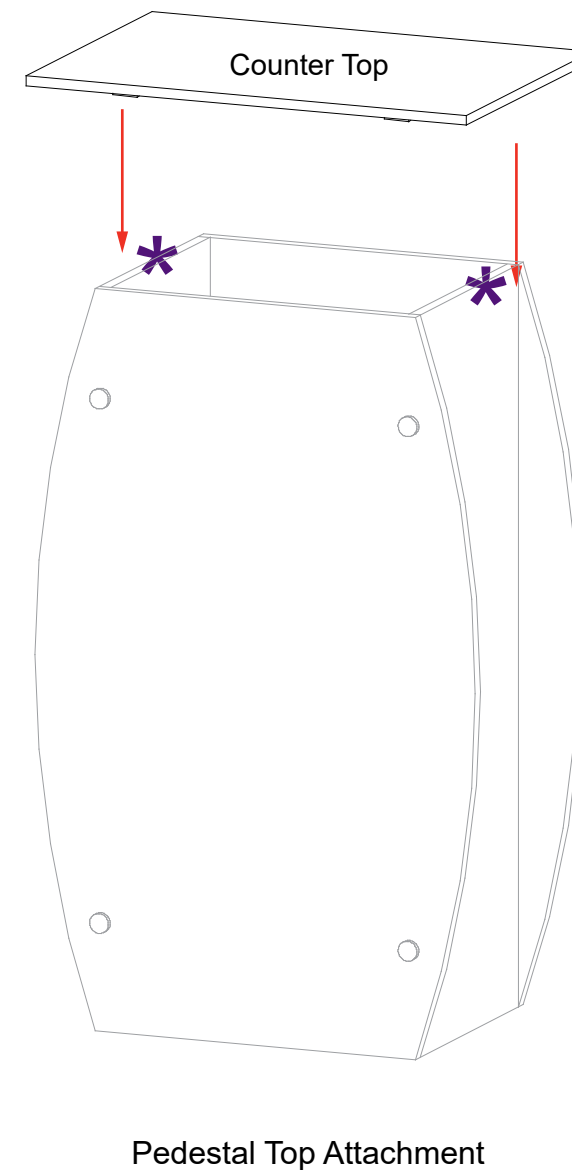
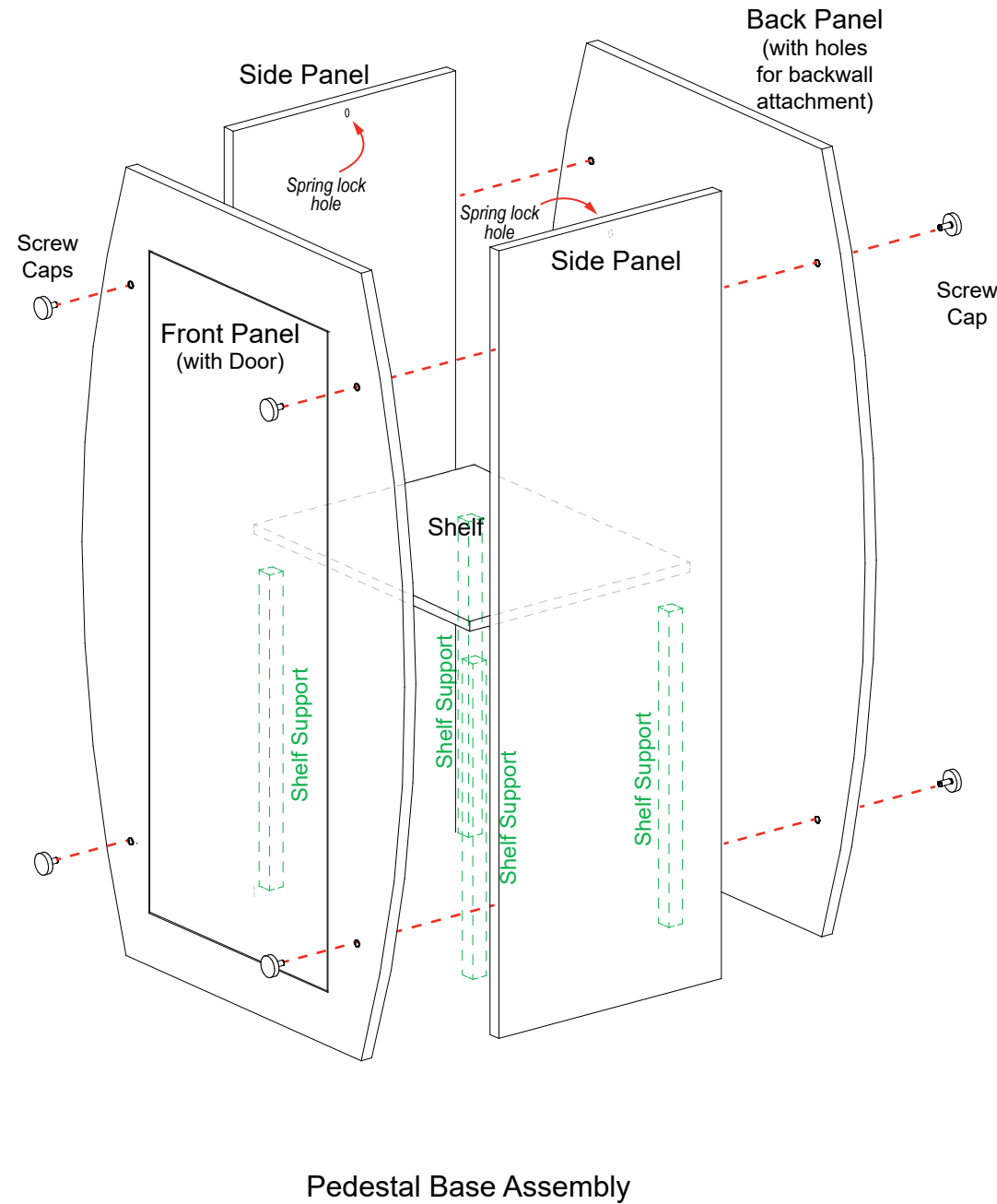
Counter should be *centered* on backwall frame when installed.



Steps:

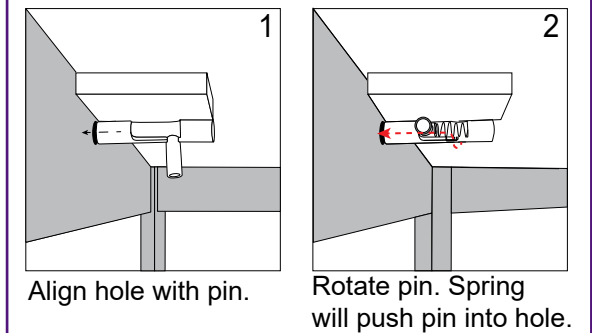
- 1) Use screw caps to secure side panels to front & back panels. Ensure holes of back panel are correctly aligned for backwall attachment.
- 2) Connect shelf supports with Velcro inside of panels, then place shelf on top of supports.
- 3) Attach Counter Top to assembled pedestal base. See Counter Top Attachment detail.

Repeat steps for other backwall counter assembly.



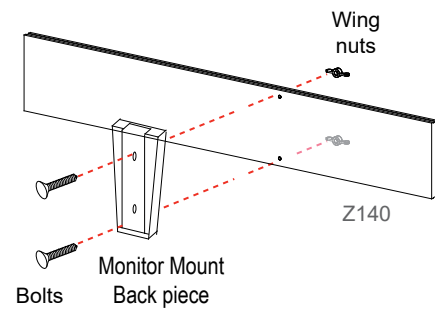
When assembled
SYM-408B Backwall Counter
Qty. 2

*** Counter Top Attachment**



*** Monitor Mount Attachment**

Attach Monitor Mount back piece to extrusion using bolts & wing nuts.

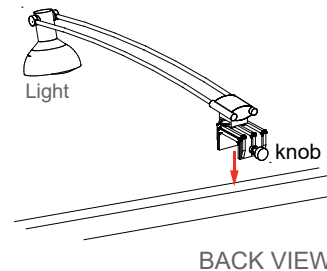


Slide monitor mount into back piece.

*** Light Attachment**

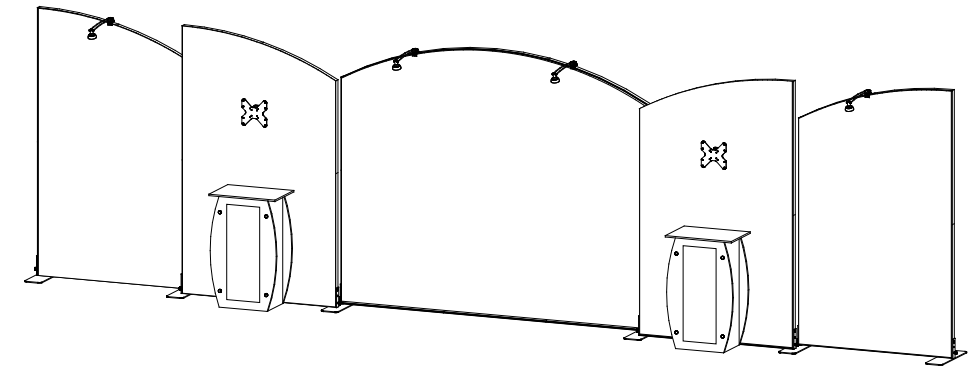
Attach clamp of stem light to top of horizontal extrusion where desired.

Twist knob on back to tighten in place.



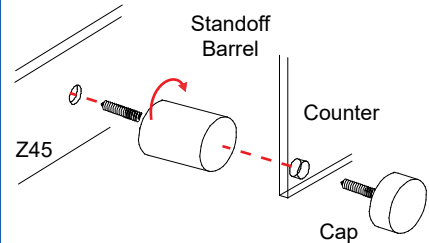
Steps:

- 1) Connect Monitor Mounts to backwall horizontal as shown. See **Monitor Mount Attachment** detail.
- 2) Attach Counters to backwall verticals, using **standoff barrels** & screw caps.
- 3) Attach light to top of backwall as shown. See **Light Attachment** detail.

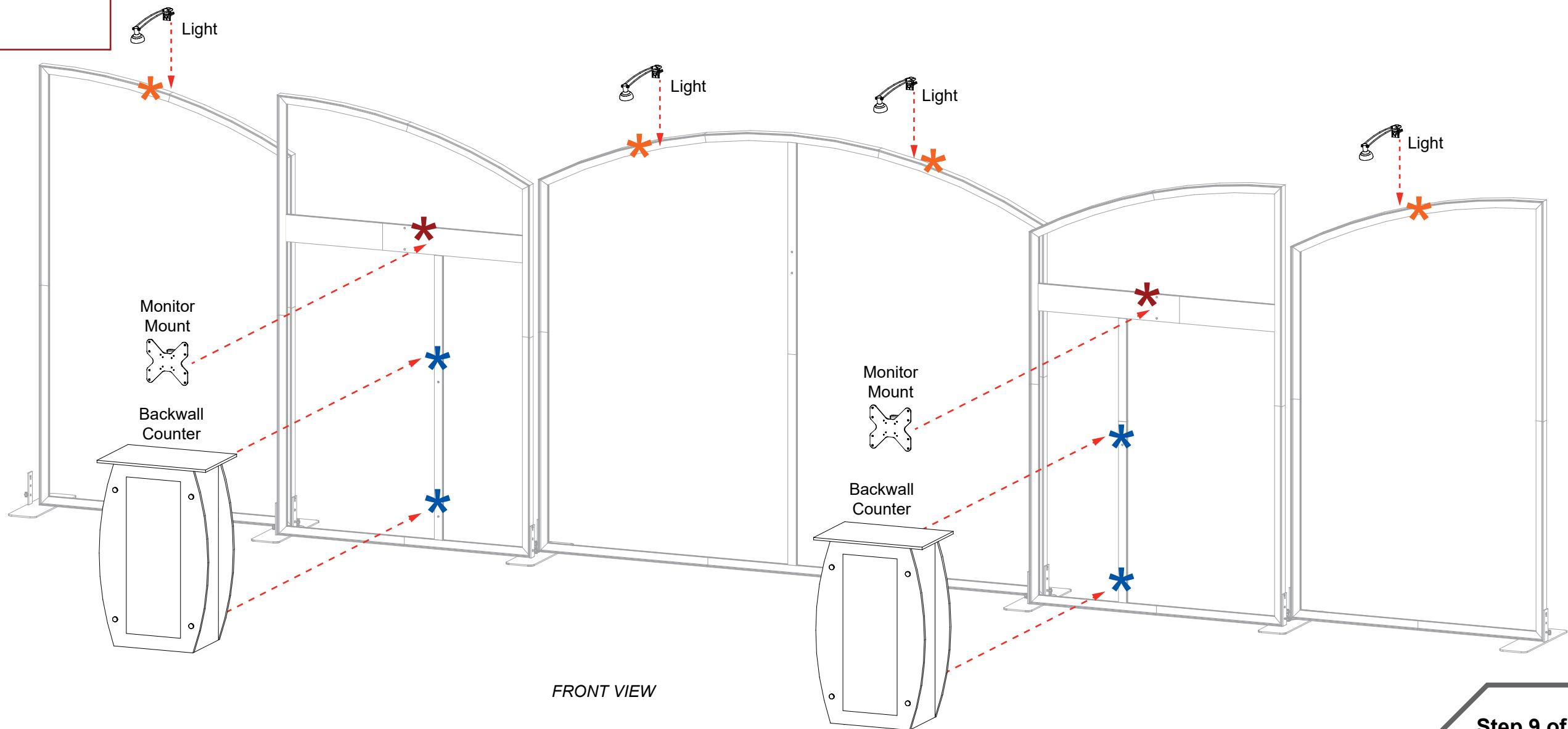


Completed Assembly

*** Standoff Barrel Attachment**



Attach standoff barrels to backwall and secure in place. Secure Counter to standoff barrels using screw caps.

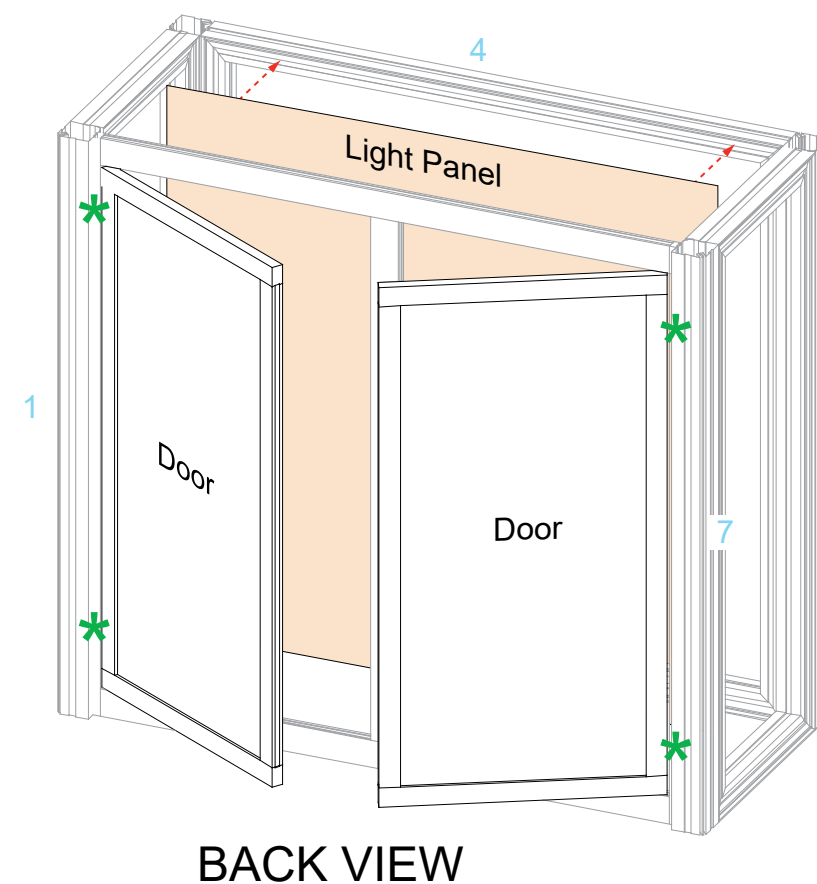
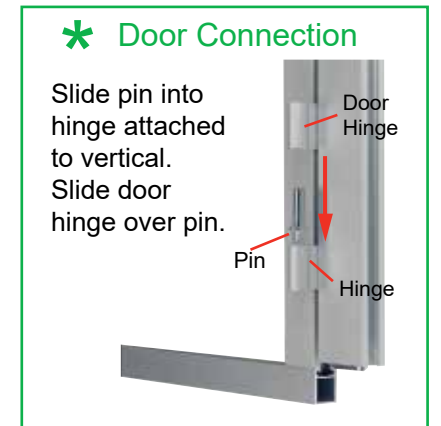
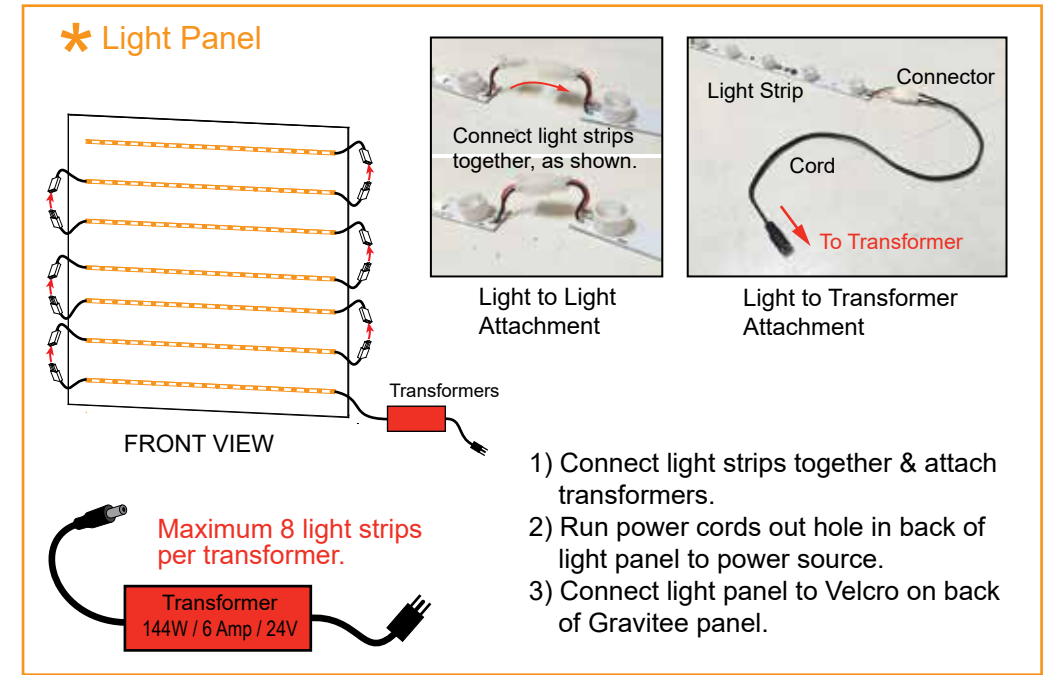
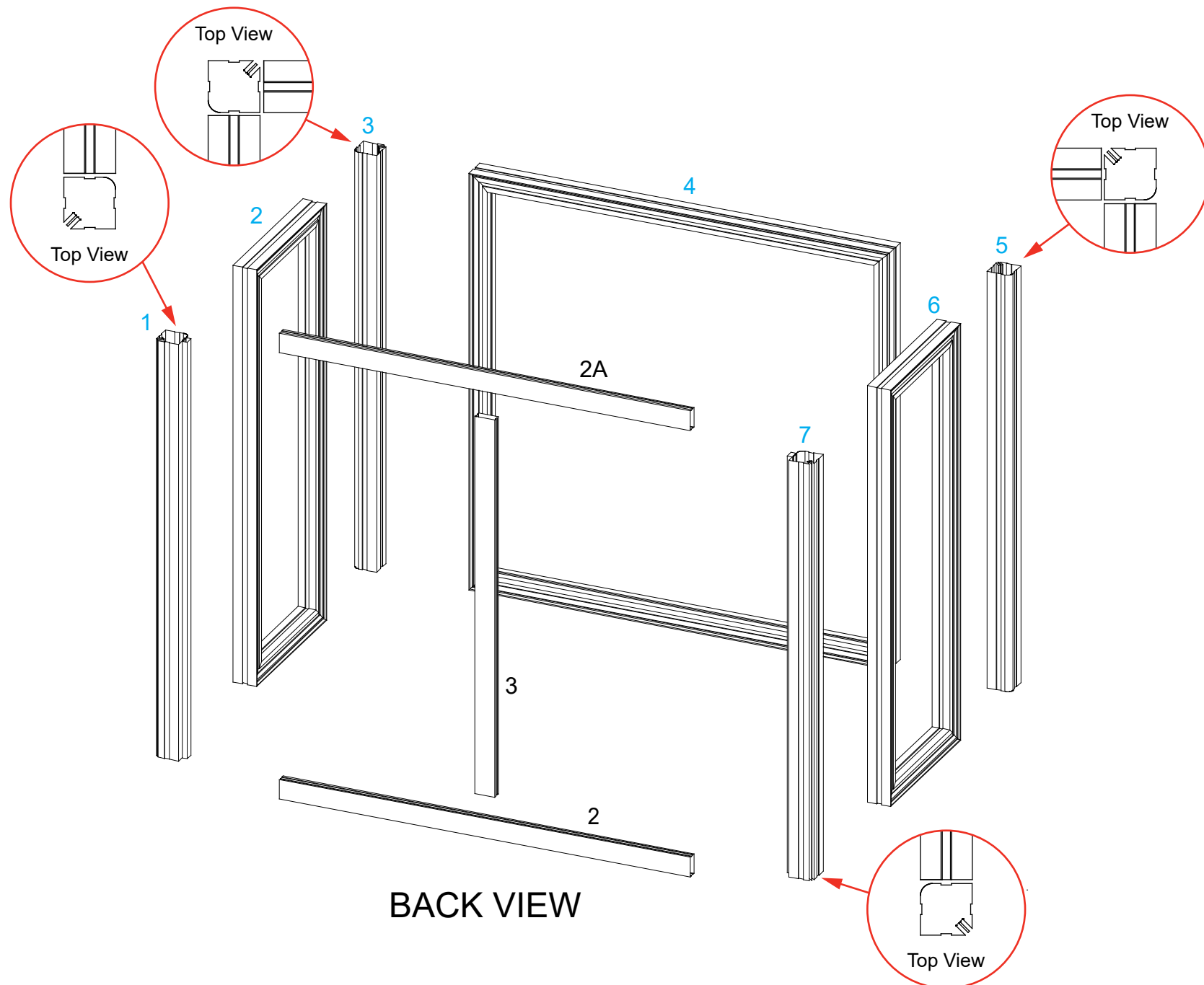


FRONT VIEW

Item	Qty.	Description
1	1	37.5"h Gravitee Corner Post w/ S10 & Door Hinges
2	1	14.125"w x 38"h Gravitee panel
3	1	37.5"h Gravitee Corner Post w/ caps
4	1	38"w x 38"h Backlit Gravitee Panel
5	1	37.5"h Gravitee Corner Post w/ caps
6	1	14.125"w x 38"h Gravitee panel
7	1	37.5"h Gravitee Corner Post w/ S10 & Door Hinges
2,2A	1,1	37.094"w Z45 Horizontal Extrusion
3	1	34.417"h Z45 Vertical Extrusion w/ Door Stopper
--	--	Light Panel for Gravitee Panel [4]

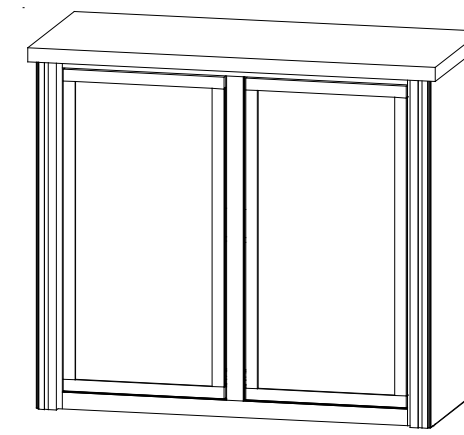
Steps:

- 1) Assemble Gravitee panels & posts together, in numerical order as shown, making sure Velcro is facing inward.
- 2) Attach lower horizontal [2] between posts [1] and [7].
- 3) Attach vertical [3] to horizontal [2].
- 4) Attach upper horizontal [2A] between posts [1] and [7], then attach vertical [3] to horizontal [2A].
- 5) Connect doors to posts [1] and [7]. See **Door Connection** detail.
- 6) Connect light panel to back of Gravitee panel [4]. See **Light Panel** detail.

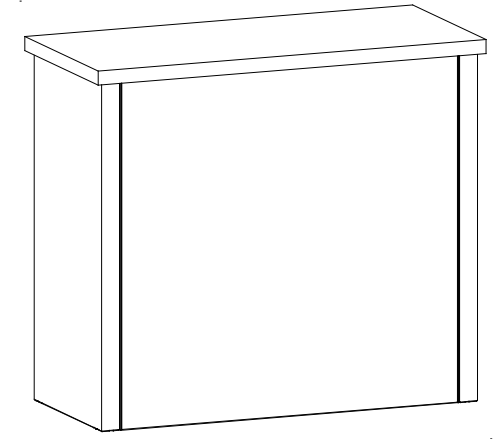


Item	Qty.	Description
--	4	18"h Shelf Supports

- Steps:
- 1) Apply SEG graphics to front and sides of counter assembly.
See General Information sheet for instruction.
 - 2) Connect shelf supports to Velcro on inside of [2] and [6], then place shelf onto shelf supports.
 - 3) Lock counter top to horizontals [2] and [6].
See Counter Top Lock detail.

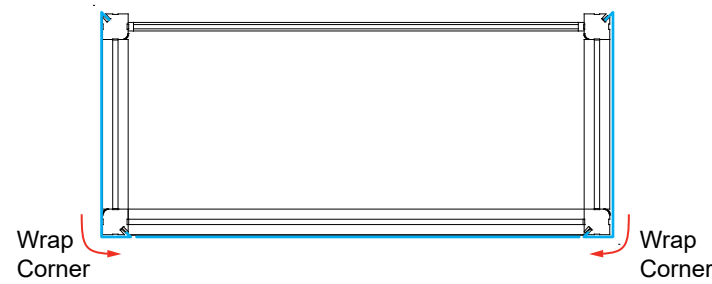


Back View

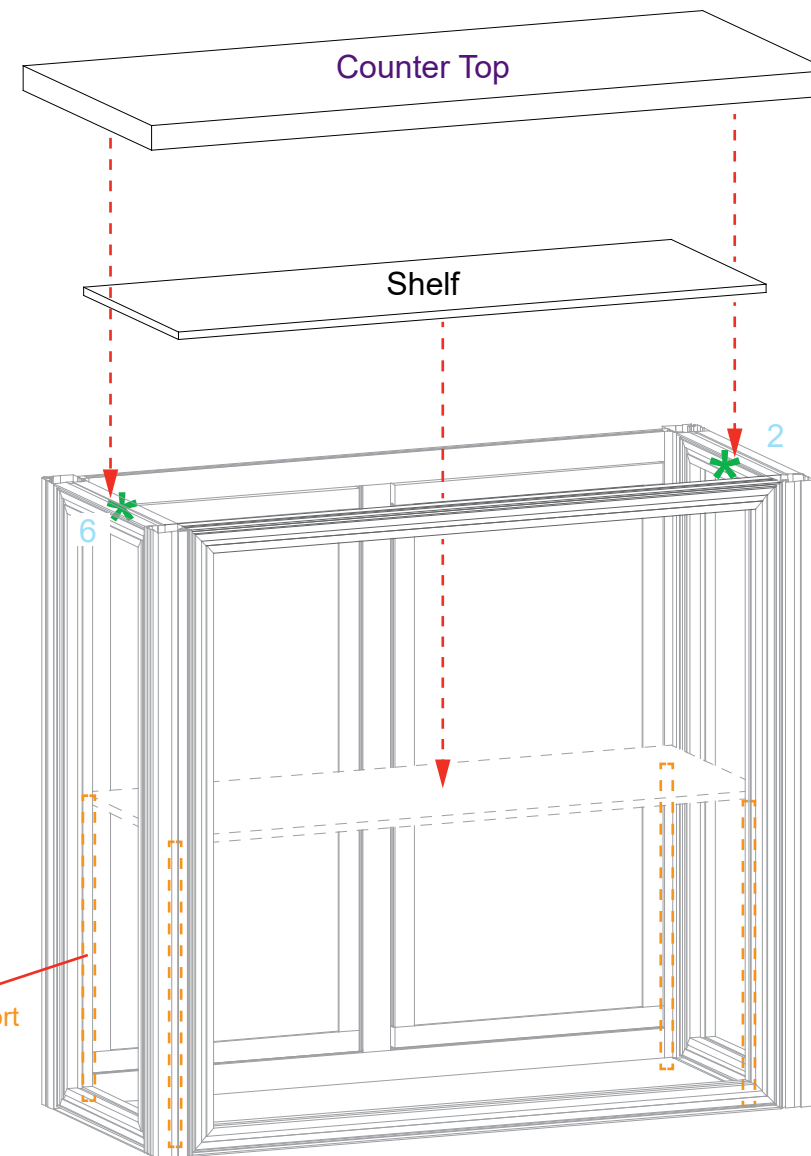


Front View

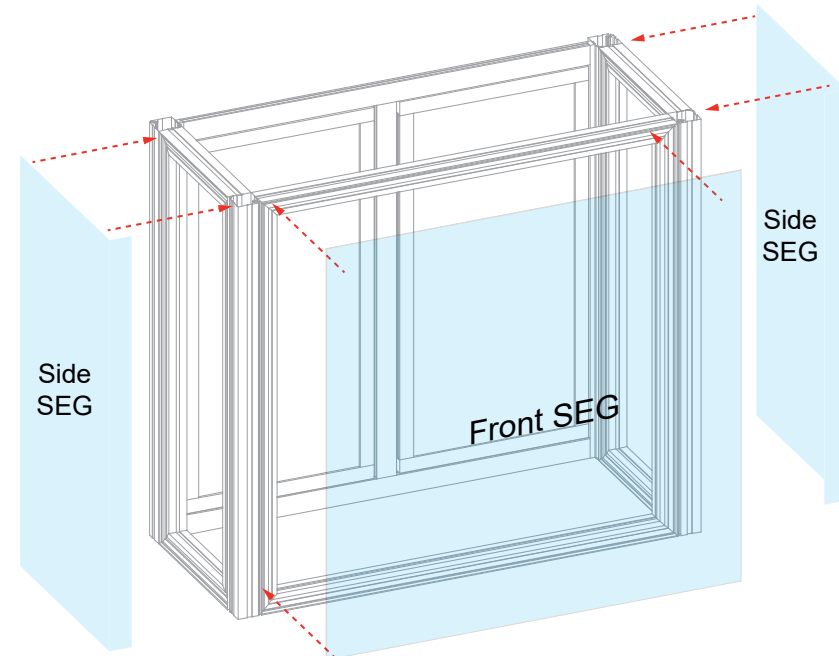
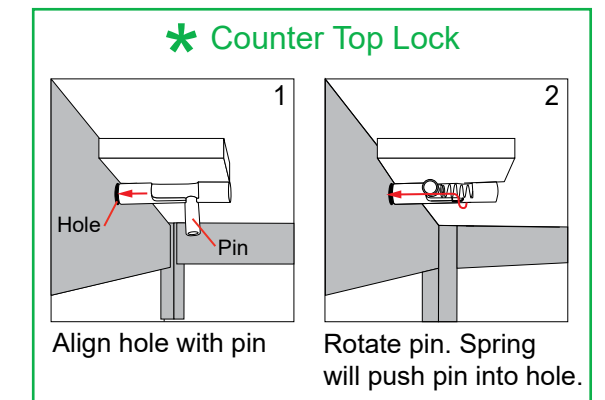
Completed Assembly



TOP VIEW



FRONT VIEW



FRONT VIEW